

SUTTON TIP UP SEAT DATA SHEET

The Sutton has exceptional durability thanks to several key features:

- Hot-dip galvanized and black-coated metalwork as standard
 - For superior rust protection, minimising maintenance.
- The polypropylene seat and back includes UV additive as standard
 - For long lasting colour and embrittlement resistant.
- Counterbalanced seat
 - Returns to upright position when unoccupied.



Available Sizes:

- Standard 460mm Seat Centre
- Other Seat centre sizes available on request

Available Colours:



SEAT AND BACK SPECIFICATIONS - AS STANDARD:

Polypropylene Moulded. Colour Fastness of 8 on the Wool Scale Self-tipping seat.	UV (Tropical Grade) stabilisation included. Moulded recess for seat numbers.	Flammability Tested to Ignition Source – 0 and 1 BS5852 Strength tested to Level 5 of BS4875.
--	---	--

METALWORK SPECIFICATIONS - AS STANDARD:

Hot Dipped Galvanized Steel Painted Satin Black	Counterweighted Seat Ring 25mm x 25mm ERW Steel tubing.	Available as Floor Fixed and Riser Fixed Fixings to assemble seat included.
--	--	--

ALSO AVAILABLE:

Upholstered Seats for VIP Areas Or Hospitality Ticket holders.	Custom Laser Marking for Sponsors or Reserved Seating	Spare parts – spare plastics, seat rings, fixings – available from Stock with no MOQ.
---	--	---

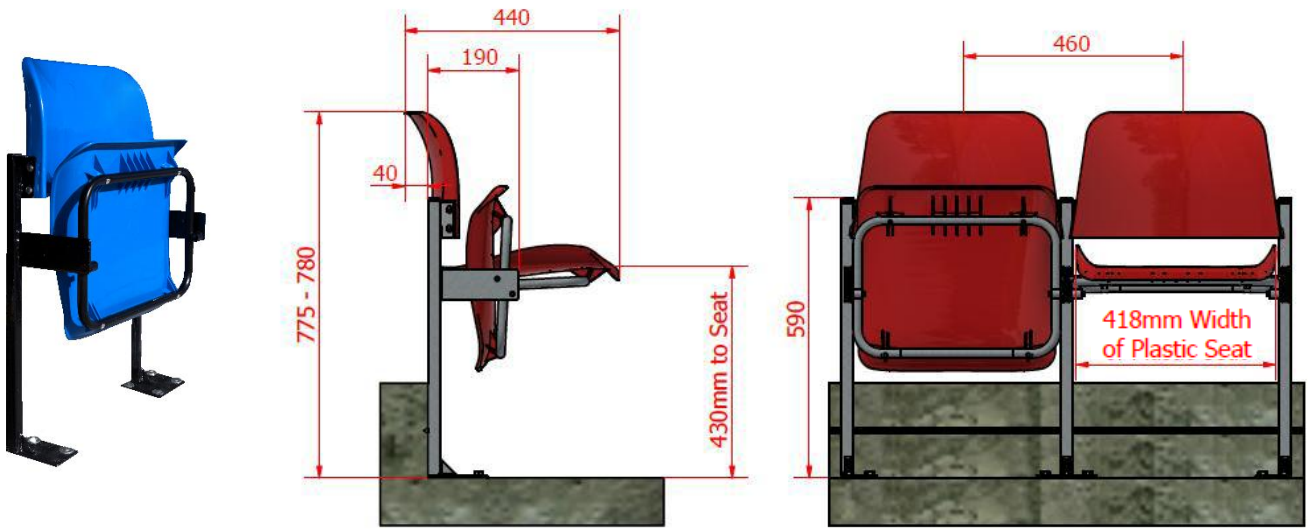


Willstack Furniture Co. Ltd. Trading as Restall Seating Systems

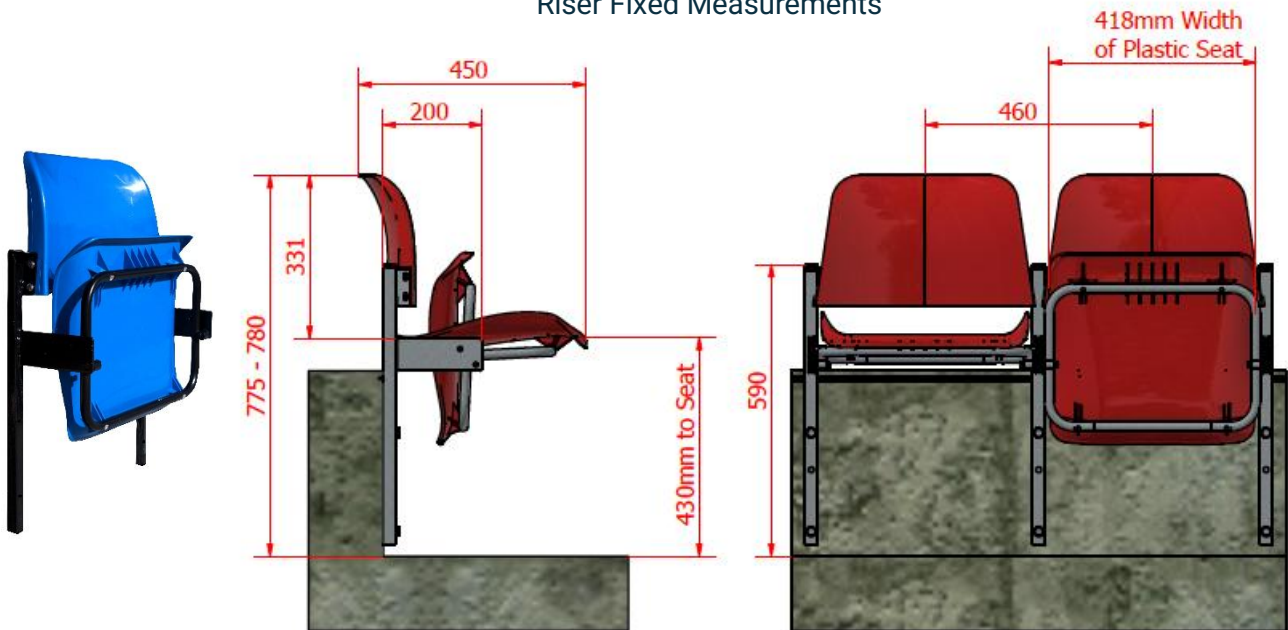
A: Unit 14, Trident Business Park, Chichester Road, Selsey, PO20 9DY T: 08456800146 E: sales@willstack.co.uk W: www.restallseating.co.uk

SUTTON TIP UP SEAT DATA SHEET

Floor Fixed Measurements



Riser Fixed Measurements



TO NOTE:

Floor or wall fixings are not included as these vary depending on the material, condition etc of where the seat is to be installed.

Seat Assembly required. The seat **MUST** be fixed to a stable structure with appropriate fixings to be a useable seat.

Assembly and installation instructions provided.

SUTTON TIP UP SEAT DATA SHEET

Upholstered Sutton:

Handmade in our Surrey Workshop; we've been working tirelessly on the exquisite comfort of our tip up Sutton Seat with padding and all-weather vinyl. From the selection of over 60 colours, these seats are custom made to order, perfectly suiting any venue.

With options of logo or badge customisation, these can be personalised to your specifications.

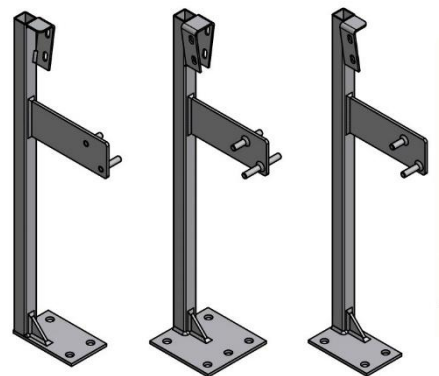


Laser Seat Marking:

Ideal for smaller customisations for long-term use – without stickers and leftover residue. Our Laser marking technology allows us to have writing or images indelibly marked on to the seat. Available on certain colour seats only, please contact us to discuss your requirements or plans.

Spare Parts:

Due to the modular design of the Sutton Tip Up Seat, in the unlikely event you need replacement parts, we have stock available of each component. With no Minimum order requirements, keeping your stands safe and looking their best is lowest cost with Willstack. Explore more information here: <https://willstack.co.uk/stadium/seating-spare-parts/>



CONTACT US NOW TO DISCUSS YOUR PROJECT

SALES@WILLSTACK.CO.UK

WILLSTACK FURNITURE CO

TRADING AS RESTALL SEATING SYSTEMS

08456 800 145



Willstack Furniture Co. Ltd. Trading as Restall Seating Systems

A: Unit 14, Trident Business Park, Chichester Road, Selsey, PO20 9DY T: 08456800146 E: sales@willstack.co.uk W: www.restallseating.co.uk